

Mach[®] 6

Coin processor

Efficient coin processing for medium volume applications

The optimization of cash management calls for specialist experience, resources and truly innovative technology. Across the world, Talaris' cash management solutions are trusted by thousands of organizations to ensure their cash is managed securely and efficiently while delivering the ultimate in productivity.

The Mach 6 is a mid-range use commercial grade coin processor and counter that is fast, accurate and versatile, with best-in-class speed.



With best-in-class speed, Talaris' Mach[®] 6 is a medium use commercial grade coin processor that is fast, accurate and versatile.

Optimal speed and accuracy

The simplicity of the patented Figure 8 technology provides optimal and accurate sorting at up to 3,000 coins per minute. This makes the Mach 6 one of the fastest in its class.

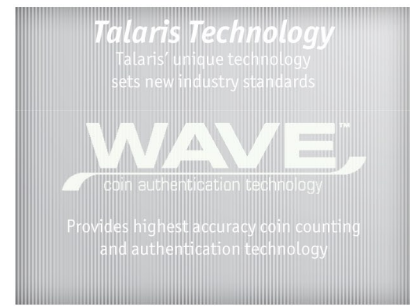
Versatile options to meet your needs

Coins can be sorted into drawers or bags. The optional WAVE[™] Coin Authentication Technology checks coins five ways to determine authenticity, and rejects unwanted foreign coins, tokens and slugs with precision.

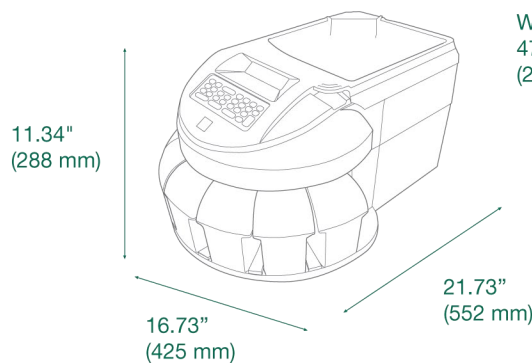
For streamlined communications and consolidated reporting, the Mach 6 is equipped with the Management Information Control

System[™] (MICS). This provides three levels of memory and the ability to manually enter values for other media, like checks and credit cards, into your totals.

For connectivity, choose from RS232 or USB ports to connect to other counting equipment and cash settlement systems. If loss prevention is a priority, select the optional security stand.



optional



Weight:
47.1 lbs
(21.4 kg)



(Optional security stand)



Product specifications

Processing speed	Up to 3,000 coins per minute	Basic machine (H x W x D)	11.34" x 16.73" x 21.73" (288mm x 425mm x 552mm)
Coin size range	Diameter: .59" to 1.28" (15mm to 32.4mm) Thickness: 0.04" to 0.12" (1mm to 3mm)	Basic Stand (only)	27" x 25.5" x 27" (685mm x 647mm x 685mm)
Tilting inspection pan capacity	Up to 4,500 coins	Security Stand	27" x 28" x 31" (685mm x 711mm x 787mm)
Power supply	90 - 264V AC, 50/60 Hz	Security features	Lock-out security to protect operating information Battery backup for power failures
Power consumption	140W	Options	WAVE [™] Coin Authentication Technology Open or security stand Bag attachments Inspection pan magnet kit Remote display Thermal printer Tokens (subject to review)
Connectivity	2 RS232 ports 1 USB-B port 1 RJ 11 printer		
Weight	47.1 lbs (21.4 kg)		



'Innovation Through Automation'
Ellsworth Systems, LLC

305 Seaboard Lane, Suite 308 Franklin, TN 37067 1-800-426-2067 www.ellsworthsystems.com