

Counter Cache™

Secure point-of-sale storage

Quickly secure currency and other items

The optimization of cash management calls for specialist experience, resources and truly innovative technology. Across the world, Talaris' cash management solutions are trusted by thousands of organizations to ensure their cash is managed securely and efficiently while delivering the ultimate in productivity.

The Counter Cache is a tamper resistant drop box for retailers and financial institutions that provides quick and easy security for currency, checks and other items.



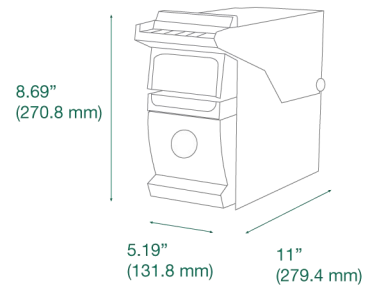
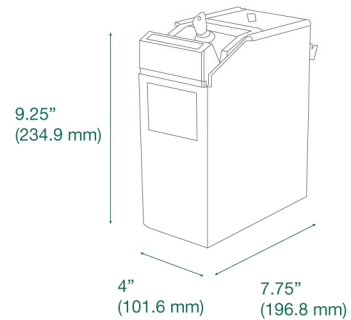
Counter Cache helps cashiers and tellers manage their cash drawers by providing a temporary and secure location for storing excess and high-value currency and other securities. Counter Cache also helps supervisors manage cash levels and reconciliation operations, while improving security.

How it works

Counter Cache can be mounted to any secure fixture. Depending upon the model you select, you can deposit up to 20 currency sized items at one time by activating a lever, which neatly stacks the contents in a single pile of up to 500 notes in an internal cassette. The cassette can then be removed from the unit with a key and a new, empty cassette can be inserted. Removable cassettes are then taken from a register or teller station to a secure location where the contents can be counted.

At convenient intervals, or at the end of the day, Counter Cache can be unlocked from its mount and transported to a more secure place for opening. A second key must be used to remove the contents, which are neatly stacked and ready for counting.

Rather than relying on one central safe or vault, Counter Cache allows each cashier or teller to have their own personal lock box to use in conjunction with their cash drawer — making managing and securing cash quick and easy.



Product specifications

Capacity	Compact: up to 350 notes Classic: up to 500 notes	Options	Numbered security seals Cassette record cards Cash clearing cards Cassette collection and cash transportation trolley
-----------------	--	----------------	--



'Innovation Through Automation'
Ellsworth Systems, LLC

305 Seaboard Lane, Suite 308 Franklin, TN 37067 1-800-426-2067 www.ellsworthsystems.com