

Mach[®] 9

Coin processor

Efficient coin processing for high volume applications

The optimization of cash management calls for specialist experience, resources and truly innovative technology. Across the world, Talaris' cash management solutions are trusted by thousands of organizations to ensure their cash is managed securely and efficiently while delivering the ultimate in productivity.

The Mach 9 is a high volume commercial grade coin processor that is fast, accurate and versatile, with best-in-class speed.



With best-in-class throughput, Talaris' Mach[®] 9 is a high volume commercial grade coin processor that is fast, accurate and versatile.

Optimal speed and accuracy

The patented Figure 8 technology provides optimal and accurate sorting at up to 4,500 coins per minute. This makes Mach 9 one of the fastest in its class.

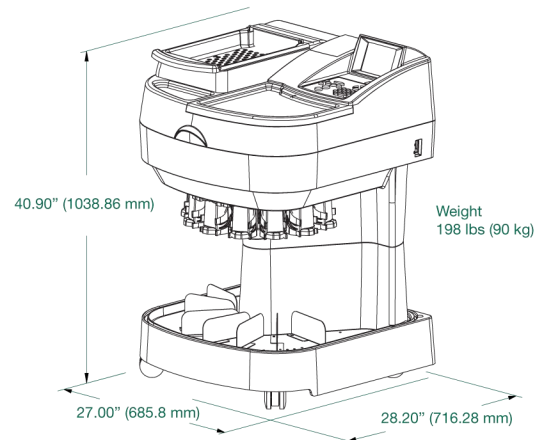
Versatile options to meet your needs

Mach 9 was designed for high volume sorting and counting into coin bags. The WAVE™ Coin Authentication Technology tests coins five ways to determine authenticity, and rejects foreign coins and tokens that are not set up for counting.

For streamlined communications and consolidated reporting, the Mach 9 offers Management Information Control System™ (MICS) as standard. This will give you three levels of memory and the ability to manually enter values for other media, like checks and credit cards, into your totals.

For connectivity, choose from RS232 or USB ports to connect to other counting equipment and cash settlement systems. Security doors can be added to the machine stand, if loss prevention is a priority.

The Mach 9 workstation design offers a convenient work surface, an easy access keyboard and a large LCD display for operator convenience. An optional fully-integrated printer can also be specified. Bag changes are easy with the Mach 9 patented quick release bagging attachments.



Product specifications

Processing speed	Up to 4,500 coins per minute WAVE™ up to 3,000 coins per minute	Dimensions (H x W x D)	40.90" x 27.00" x 28.20" (1038.86 x 685.8 x 716.28 mm) (without printer)
Coin size range	Diameter: 0.591" to 1.48" (15 mm to 37.7 mm) Thickness: 0.04" to 0.12" (1 mm to 3 mm) Differential: 0.02" (0.5 mm) minimum	Weight	198 lbs (90 kg)
Tilting inspection pan capacity	Up to 5,000 coins	Security features	Lock-out security to protect operating information Battery back up in the event of power failure Security doors (optional)
Power supply	90 - 264V AC, 50/60 Hz	Options	Remote batch total display WAVE™ Coin Authentication Technology Security doors Magnet kit Impact Printer Thermal Printer
Connectivity	(2) RS232, (1) USB-B mini, (1) RJ11 printer		



'Innovation Through Automation'
Ellsworth Systems, LLC

305 Seaboard Lane, Suite 308 Franklin, TN 37067 1-800-426-2067 www.ellsworthsystems.com