

Mach[®] 12

Coin processor

Efficient coin processing for high volume applications

The optimization of cash management calls for specialist experience, resources and truly innovative technology. Across the world, Talaris' cash management solutions are trusted by thousands of organizations to ensure their cash is managed securely and efficiently while delivering the ultimate in productivity.

The Mach 12 is a high volume industrial grade coin processor that is fast, accurate and versatile, with best-in-class speed.



With best-in-class throughput, Talaris' Mach[®] 12 is a high volume commercial grade coin processor that is fast, accurate and versatile.

Optimal speed and accuracy

The simplicity of the patented Figure 8 technology provides optimal and accurate sorting at up to 6,000 coins per minute. This makes Mach 12 one of the fastest in its class.

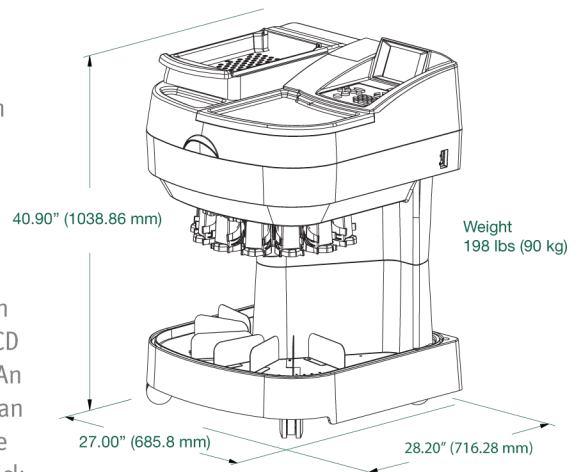
Versatile options to meet your needs

Mach 12 is built with heavy duty counting and sorting components designed to tackle large sorting tasks in high demand applications where coin is sorted and counted into bags. To meet the demands of these environments and maximize efficiencies, models with multiple bagging of one denomination are also available.

For streamlined communications, the Mach 12 offers Management Information Control System[™] (MICS) as standard. This provides three levels of memory and the ability to manually enter values for other media, like checks and credit cards, into your totals.

For connectivity, choose from a RS232 or USB port to connect to other counting equipment and cash settlement systems. Security doors can be added, if loss prevention is a priority.

The Mach 12 workstation design offers a convenient work surface, an easy access keyboard and a large LCD display for operator convenience. An optional fully-integrated printer can also be specified. Bag changes are easy with the Mach 12 patented quick release bagging attachments.



Product specifications

Processing speed	Up to 6,000 coins per minute	Dimensions (H x W x D)	40.90" x 27.00" x 28.20" (1038.86 x 685.8 x 716.28 mm) (without printer)
Coin size range	Diameter: 0.591" to 1.48" (15 mm to 37.7 mm) Thickness: 0.04" to 0.12" (1 mm to 3 mm) Differential: 0.02" (0.5 mm) minimum	Weight	198 lbs
Tilting inspection pan capacity	Up to 10,000 coins	Security features	Lock-out to protect operating information Battery backup in the event of power failure Security doors (optional)
Power supply	90- 264V AC, 50/60 Hz	Options	Security doors Dual bagging Inspection pan magnet kit Remote display Thermal printer Tokens (subject to review)
Connectivity	(2) RS232, (1) USB-B mini, (1) RJ11 printer		



'Innovation Through Automation'
Ellsworth Systems, LLC

305 Seaboard Lane, Suite 308 Franklin, TN 37067 1-800-426-2067 www.ellsworthsystems.com